

Save this manual for future reference.

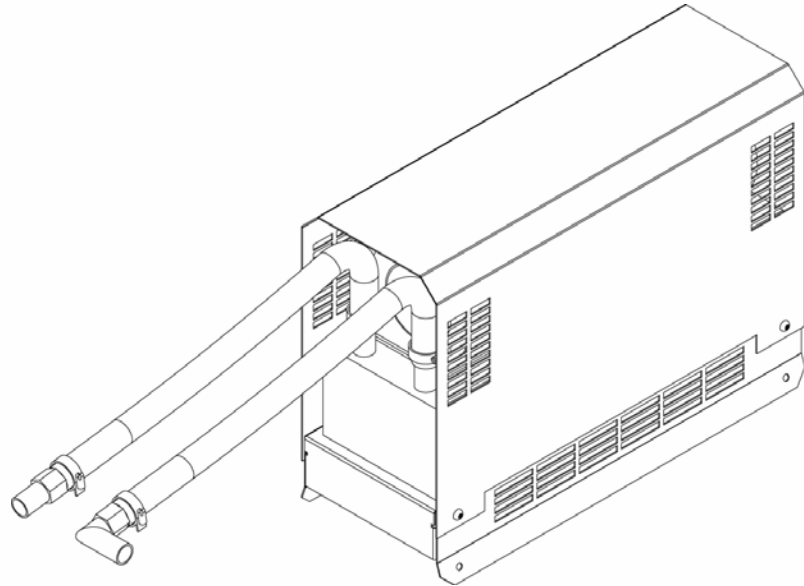
Beaver Pro™

Owner's Manual

Model:
Arctic Cat Prowler
Heater Kit *

Caution:

Before using this product, read this manual and follow all Safety Instructions.



Prowler Heater Kit*

- Safety Instructions
- Heater Kit Contents
- Heater Assembly
- Operation
- Replacement Parts

* The Beaver Pro™ cabs and accessories are in no way affiliated with Arctic Cat Inc. Any use of the Arctic Cat name is only to identify their utility vehicle as it pertains to our accessories. Arctic Cat and Prowler are registered trademarks of the Arctic Cat Company.

Warning: Failure to heed all safety and operating instructions and warnings regarding use of this product can result in serious bodily injury.

SAFETY INSTRUCTIONS

Read entire assembly instructions before beginning work.

Installing your BeaverPro™ Heater Kit could involve draining the engine coolant from your ATV and bleeding the cooling system. If you have no experience working on engines or cooling systems, please have your BeaverPro™ dealer install the heater kit.

Working with hot coolant can result in serious injury. Always wear eye protection. Never cut or unplug coolant hoses or open radiator cap if coolant is hot.

Install all parts indicated in assembly instructions. Failure to fully assemble product before use could result in personal injury.

Some parts contain sharp edges as indicated in the manual. Wear protective gloves if necessary.

Dress for safety. DO NOT wear loose clothing, gloves, neckties or jewelry if using power tools to assemble this product.

Always keep your assembly area clean, uncluttered and well lit.

Keep visitors and children a safe distance away from the assembly area. Visitors should wear the same safety equipment described above.

HEATER KIT CONTENTS

Your BeaverPro™ Arctic Cat Prowler heater kit should contain the parts listed below. Separate all parts from packing materials. Do not discard packing material until assembly is complete. Item quantities are listed in parenthesis below.

Parts List

- Heater Assembly (x1)
- Electric Switch and Knob (x1)
- Hose Clamps (x2)
- Wiring Harness
- 10-32 screws (x4)
- Self tapping screws (x4)

TOOLS REQUIRED FOR ASSEMBLY

Ensure that you have the following tools available before you begin the assembly of your BeaverPro™ Arctic Cat Prowler heater kit.

- Flat Screwdriver
- Utility Knife
- Wrench Set or Prowler Tool Kit
- 2 Pairs of Locking Pliers
- Pre-mixed Engine Coolant
- Small Funnel

HEATER KIT ASSEMBLY

In this section, you will be instructed on how to install your BeaverPro™ Heater Kit. Total assembly time for the heater kit is about 2 hours.

1. Remove Seats

a) Remove both the driver and passenger seats. Refer to your Prowler owner's manual for details. (Step not shown)

2. Remove Plastic Engine Cover

a) Remove the plastic engine cover for access to the engine. Refer to your Prowler owner's manual for details. (Step not shown)

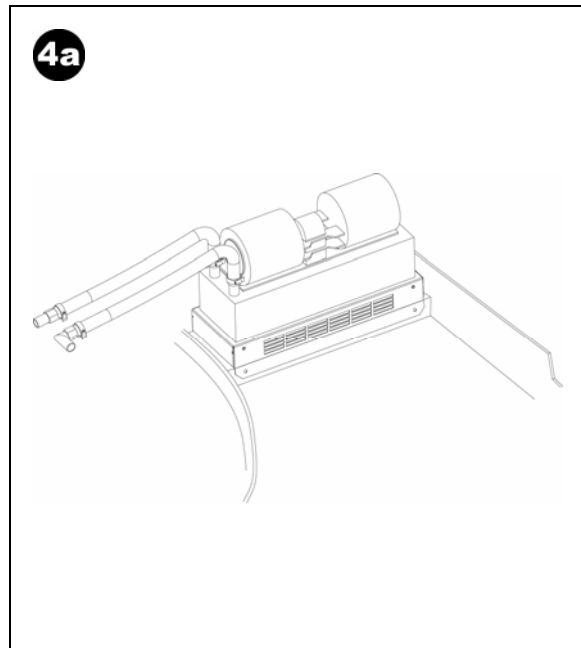
3. Remove Plastic Cover (Passenger Side)

a) Remove the plastic cover under the passenger side seat. Refer to your Prowler owner's manual for details. (Step not shown)

4. Install Heater

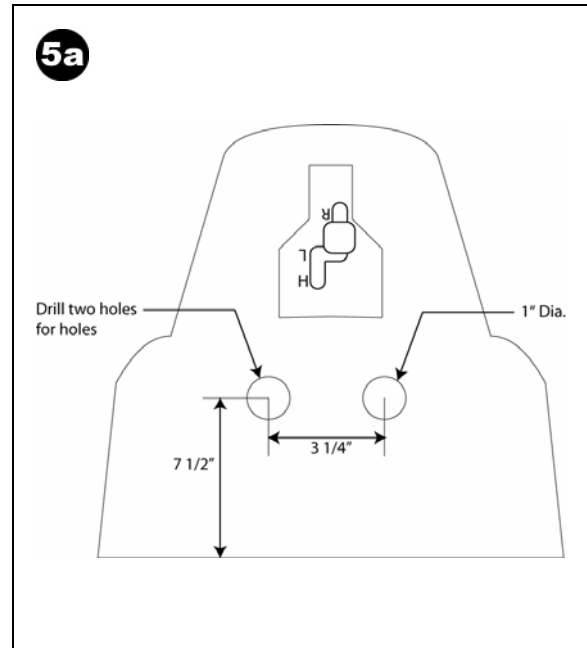
a) Remove the sheet metal cover on the heater. Position the heater base on the floor as shown on right. Install using four (4) self tapping screws provided.

Note: When properly positioned, the base of the heater should sit equally spaced from the firewall and the engine cover.



5. Cut Holes In Engine Cover

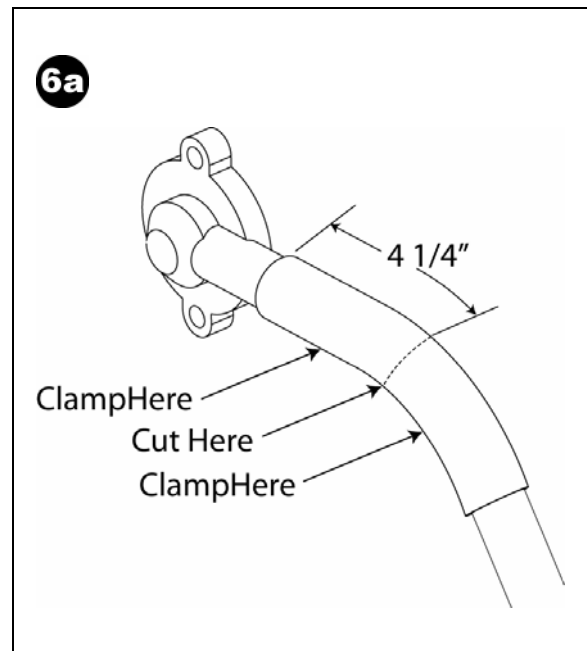
a) Cut two access holes for the heater hoses in your engine cover. The diagram on the right shows the dimensions and spacing of the holes.



6. Cut Cooling Hose.

a) Locate the coolant hose that comes of the top of the engine. Cut the hose $4\frac{1}{4}$ " from first end as shown on right.

Note: Using locking pliers, clamp the coolant hose above and below the cut to prevent coolant loss. If too much coolant is lost in this operation, you may have to bleed the cooling system for proper operation.



7. Route the Heater Hoses Through the Engine Cover.

a) Route the heaters hoses through the engine cover as shown on right.



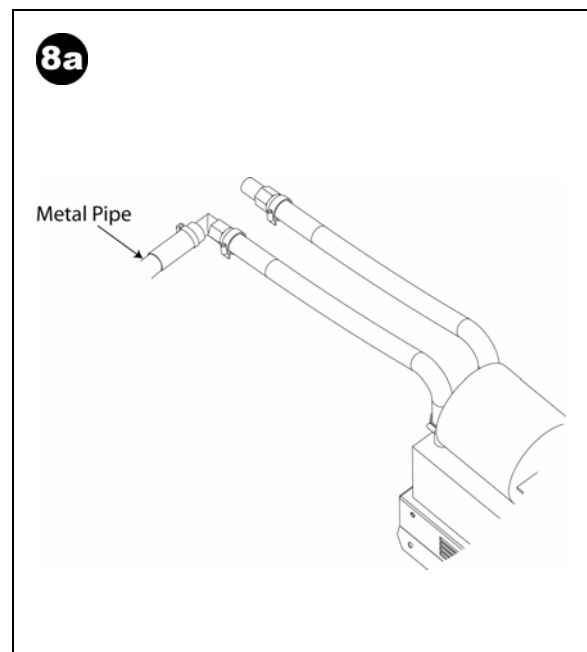
8. Connect Lower Coolant Hose

a) Connect the hose indicated at right to the cut end of the hose that runs along floor of cab. Tighten hose clamp. Remove locking pliers on bottom hose only.

Note: Hoses should be routed so that they do not interfere with the installation of the engine cover or operation of shift lever.

9. Fill Heater with Coolant

a) To prevent an air lock in your cooling system, fill the remaining unplugged coolant hose on the heater with pre-mixed engine coolant. (Step not shown)



10. Connect Top Hose

a) Connect the remaining hose from heater to the hose at the top of the engine. Tighten hose clamp. Remove locking pliers. (Step not shown)

Note: Inspect hoses for kinks that would prevent coolant flow. If hose is kinked, loosen clamp and reposition hose to remove kink.

11. Check Coolant Flow

a) Start engine and let warm up until the electric fan in front of the radiator comes on. (Step not shown)

b) Check that both hoses are warm to the touch. (Step not shown)

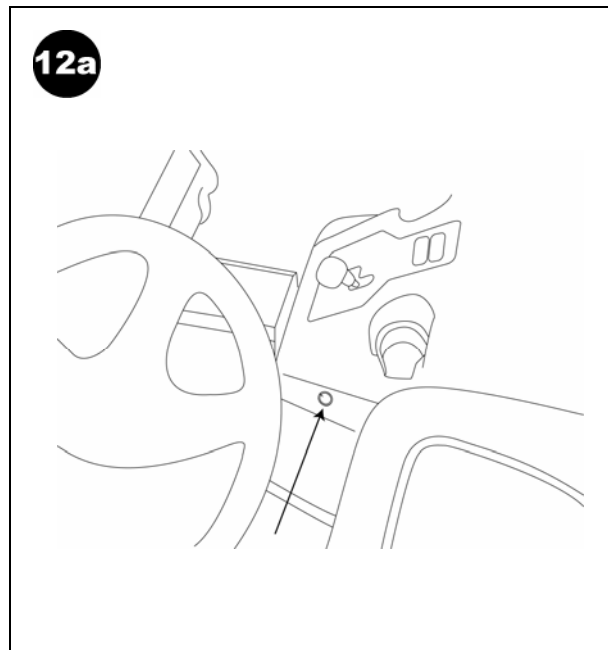
Warning: If hoses do not get warm, there is an air lock in the cooling system. The cooling system needs to be bled. Consult service manual or dealer.

c) Shut off engine and let engine cool down. Open radiator cover and fill with coolant to recommended level. (Step not shown)

12. Drill hole for heater switch and install switch.

a) Drill hole for switch. The position shown on right is recommended to simplify routing of wiring harness.

b) Remove knob from switch (Pull straight) and install heater switch in hole. Tighten lock nut. Re-install knob. (Not shown)



13. Connect Wires per attached diagram

a) Route wiring harness from heater to switch. Connect both ends of the wiring harness as indicated on right.

b) Test heater operation.

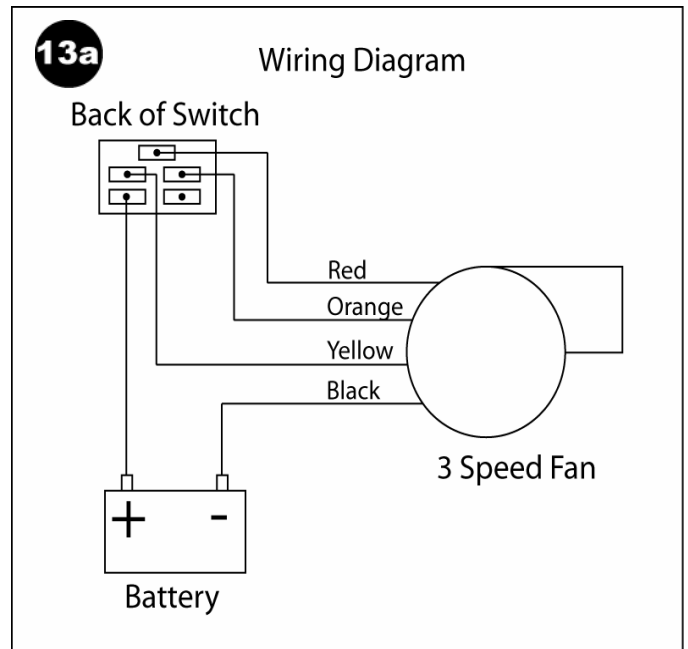
14. Completing Assembly

a) Re-install engine cover. (Step not shown)

b) Install protective cover over heater base using four (4) 10-32 screws provided. (Step not shown)

c) Re-install plastic cover under passenger seat. (Step not shown)

c) Re-install driver and passenger seats (Steps not shown).



OPERATION

The BeaverPro™ Heater Kit when combined with the BeaverPro™ Prowler Hard Cab Kit allows the full enjoyment of the Prowler in all weather conditions.

Maintenance

Periodically check the level of coolant in your ATV as part of normal preventive maintenance. Check the hoses going to your heater for leaks. Tighten clamps or replace hoses as required. Running your ATV engine without sufficient coolant will severely damage your engine.

REPLACEMENT PARTS

Use this parts list to order replacement parts from BeaverPro.

10054	10-32" x 1/2" Screw
10071	10-16 Self Tapping Screw
10074	Heater
10075	Heater Switch
10117	Heater Knob
10119	Heater Base
10120	Heater Cover
10124	1/2" x 3/4" Straight Hose Coupling
10125	1/2" x 3/4" 90Deg Hose Coupling

To order replacement parts, contact the Parts Department at:

LB Manufacturing Inc.
671 Babin Street, Dieppe Industrial Park,
N.B. Canada E1A 5M7
Ph: (506) 388-3335 Fax (506) 388-3325
www.beaverpro.com
lucb@beaverpro.com