



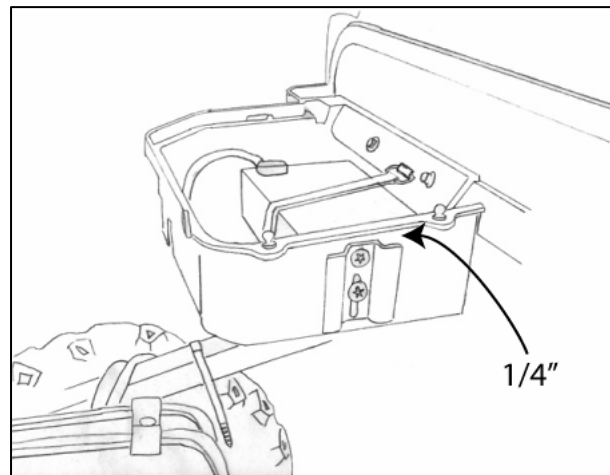
Windshield Washer Kit

To successfully install your BeaverPro Windshield Washer Kit, follow the manufacturer's instructions included with the kit.

The following illustrations indicate recommended locations on your Yamaha Rhino* UTV where the windshield washer kit should be installed.

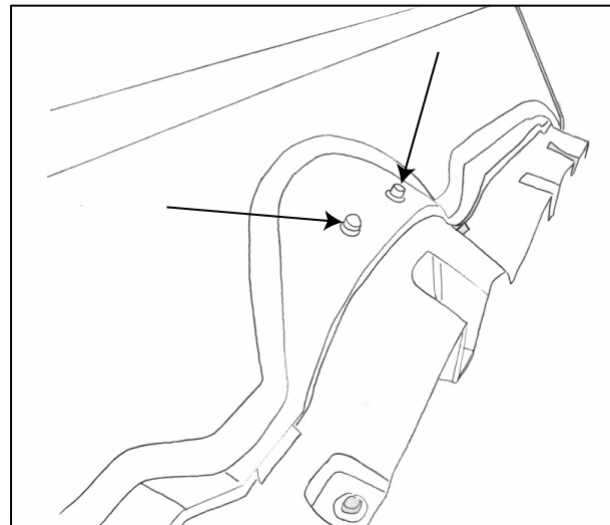
1. Recommended location for reservoir/motor assembly.

a) Position reservoir bracket on battery box as shown at right. Top of bracket should be $\frac{1}{4}$ " from underneath of lip on battery box. Drill two holes and fasten using screws provided in kit.



2. Recommended location for nozzles.

a) Drill holes and install both nozzles in recommendation location shown at right.



For support or replacement parts, contact the Parts Department at:

LB Manufacturing Inc.
671 Babin Street, Dieppe
N.B. Canada E1A 5M7
Ph: (506) 388-3335 Fax (506) 388-3325
www.beaverpro.com
info@beaverpro.com

*Beaver Pro is in no way affiliated with the Yamaha Motor Corporation. Any use of the Yamaha name is only to identify their utility vehicle as it pertains to our accessories. Yamaha and Rhino are registered trademarks of the Yamaha Motor Corporation.