



Universal Deck Arctic Cat Prowler* Adapter Kit

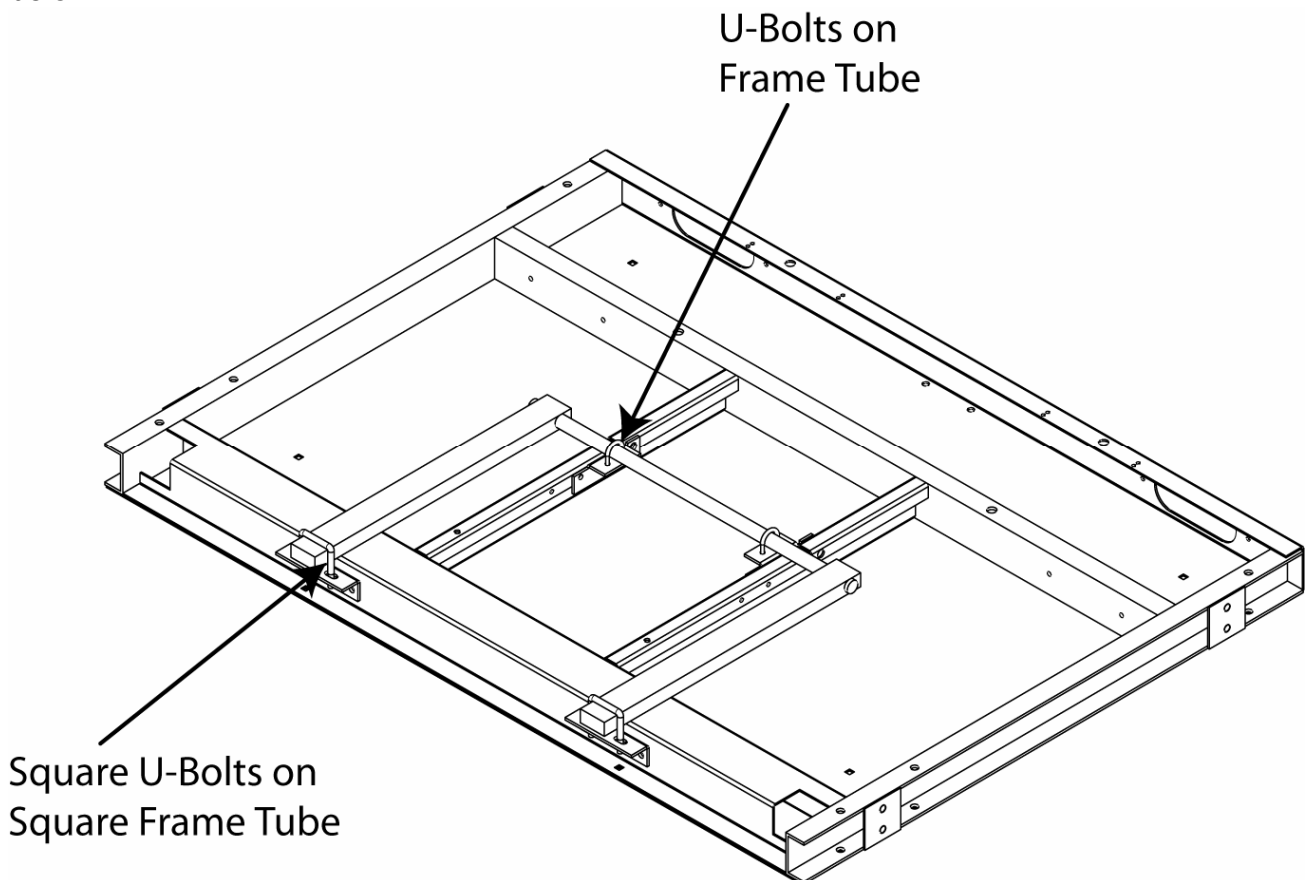
To successfully install your BeaverPro Universal Deck onto your Arctic Cat Prowler, follow these steps.

1. Remove the cargo box.

Remove the original Arctic Cat cargo box from the ATV following instructions described in the manufacturer's service manual.

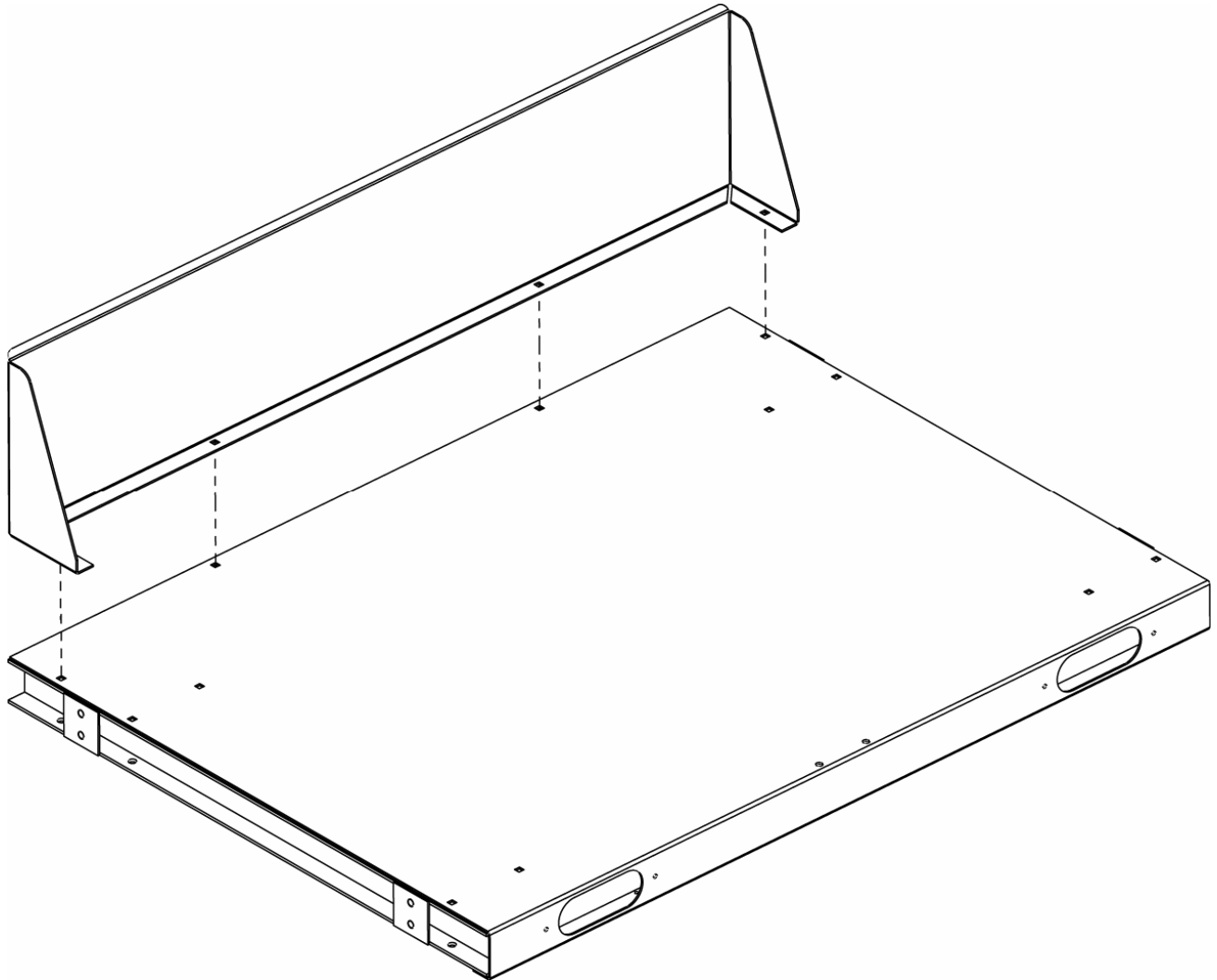
2. Attach the BeaverPro Universal Deck.

Use U-Bolts provided to attach Universal Deck to ATV frame as shown below.



3. Install Cab Guard.

Install cab guard with supplied hardware.



For support or replacement parts, contact the Parts Department at:

LB Manufacturing Inc.
671 Babin Street, Dieppe
N.B. Canada E1A 5M7
Ph: (506) 388-3335 Fax (506) 388-3325
www.beaverpro.com
info@beaverpro.com

*The Beaver Pro cabs and accessories are in no way affiliated with Arctic Cat Inc. Any use of the Arctic Cat name is only to identify their utility vehicle as it pertains to our accessories. Arctic Cat and Prowler are registered trademarks of the Arctic Cat Company.